



OPERATIONS - PARTS MANUAL



ACM7H8 ACM9H8 ACM12H13
Concrete Mixer

allen
ENGINEERING
CORPORATION
819 South 5th Street
Paragould, AR 72450

Concrete Mixer

OPERATIONS - PARTS

MANUAL

This manual covers the products listed below:

<u>Part No.</u>	<u>Description</u>
061700	MIXER, CONCRETE, 7CF,8HP, 2IN BALL (ACM7H8)
061710	MIXER, CONCRETE, 9CF, 8HP, 2IN BALL (ACM9H8)
061720	MIXER, CONCRETE, 12CF, 13HP, 2IN BALL (ACM12H13)

Copyright © 2014 Allen Engineering Corporation
All rights reserved

All information, specifications, and illustrations in this manual are subject to change without notice and are based on the latest information at the time of publication. No part of this manual may be reproduced or transmitted in any form or by any means, electronic or mechanical, for any purpose, without the express written permission of Allen Engineering Corporation (AEC). AEC assumes no responsibility or liability for any errors or inaccuracies that may appear in this manual.

Allen Products are covered under one or more of the following patent numbers:

U.S. Design Patents: 344,736; 400,542; 400,544; 402,998; 402,999; 403,332; 404,041; 404,042; 410,931; 413,127; 416,564; 465,897; 466,909; 474,203.

U.S. Utility Patents: 5,108,220; 5,238,323; 5,328,295; 5,352,063; 5,405,216; 5,476,342; 5,480,257; 5,480,258; 5,533,831; 5,562,361; 5,567,075; 5,613,801; 5,658,089; 5,685,667; 5,803,658; 5,816,739; 5,816,740; 5,890,833; 5,934,823; 5,967,696; 5,988,938; 5,988,939; 6,019,433; 6,019,545; 6,048,130; 6,053,660; 6,089,786; 6,106,193; 6,857,815; 5,288,166; 6,582,153 B1, 7,108,449; 7,114,876; 7,316,523; 7,690,864 B2

Canadian Patents: 2,039,893.

First Issue: October 2014
Amended: May 2015

Printed in U.S.A.

Limited Warranty

LIMITED WARRANTY and LIMITATION OF LIABILITY

Allen Engineering Corporation (“Allen”) warrants its products to be free of defects in material or workmanship for the following periods:

A. New Machines and Parts.....One Year

Warranty period begins on first day of use by End User. This first day of use is established by the date of a completed Allen Warranty Card or a Bill of Sale to the End User. All warranty is based on the following limited warranty terms and conditions, including the disclaimer of implied warranties and consequential damages.

1. Allen’s obligation and liability under this warranty is limited to repairing or replacing parts if, after Allen’s inspection, there is determined to be a defect in material or workmanship. Allen reserves the choice to repair or replace.
2. If Allen chooses to replace the part, it will be at no cost to the customer and will be made available to the Allen Distributor, Dealer, or Rental Center from whom the End User purchased the product.
3. Replacement or repair parts, installed in the product, are warranted only for the remainder of warranty period of the product as though they were the original parts.
4. Allen does not warranty engines. Engine warranty claims should be made directly to an authorized factory service center for the particular engine manufacturer.
5. Allen’s warranty does not cover the normal maintenance of products or its components (such as engine tune-ups and oil & filter changes). The warranty also does not cover normal wear and tear items (such as belts and consumables).
6. Allen’s warranty will be void if it is determined that the defect resulted from operator abuse, failure to perform normal maintenance on the product, modification to product, alterations or repairs made to the product without the written approval of Allen. Allen specifically excludes from warranty any damage to any trowels resulting from an impact to the rotors.
7. Impact damage is not covered under the Allen Gear Box warranty.
8. Allen will pay shop labor on warranty items at the Allen Shop Labor Rate in existence on the date of the warranty claim. An Allen Labor Chart will determine the time allowed to complete a repair and will govern the shop labor hours that will be allowed.
9. Allen will pay freight on warranty replacement parts at worldwide standard ground rates. No warranty replacement parts will be shipped air freight at the expense of Allen. Allen only pays outbound freight charges when sending warranty replacement parts to the customer via ground service. Allen does not pay any inbound freight. However, if Allen determines this to be a warranted item, only then will Allen reimburse the customer for inbound freight at standard ground rates.
10. ALLEN ENGINEERING CORPORATION’S WARRANTY POLICY WILL NOT COVER THE FOLLOWING: TAXES; SHOP SUPPLIES; ENVIRONMENTAL SURCHARGES; AIR FREIGHT; TRAVEL TIME; LOSS OF TIME; INCONVENIENCE; LOSS OF RENTAL REVENUE; RENTAL COSTS OF EQUIPMENT USED TO REPLACE THE PRODUCT BEING REPAIRED; LOSS OF USE OF THE PRODUCT; COMMERCIAL LOSS; OR ANY OTHER CHARGES WHATSOEVER OR ANY LIABILITIES FOR DIRECT, INCIDENTAL, OR CONSEQUENTIAL DAMAGE OR DELAY.
11. ALLEN ENGINEERING CORPORATION MAKES NO OTHER WARRANTY, EXPRESSED OR IMPLIED. THIS LIMITED WARRANTY IS IN LIEU OF THE WARRANTY OF MERCHANTABILITY AND FITNESS. THERE ARE NO OTHER WARRANTIES THAT EXTEND BEYOND THE DESCRIPTION ON THIS DOCUMENT.
12. No Allen employee or representative is authorized to change this warranty in any way or grant any other warranty unless such change is made in writing and signed by an officer of Allen Engineering Corporation.

Table of Contents

Title	Page
Limited Warranty	4
Table of Contents	5
Information Contained In This Manual	7
Dealer Information	8
Ordering Parts	9
Model Number - Serial Number Codes	10
Unit Identification	11
Technical specifications	12
Engine Specifications	14
Assembly Instructions	15
Section 1 - Safety	
State Regulations	16
Federal Regulations	17
Safety Information	18
Safety Symbols and Decals	19
Section 2 - Operations	
Before Operating	22
Operating	23
Section 3 - Service	
Maintenance	24
Schedule	25

Table of Contents - Continued

Title	Page
Parts Machine Assembly	26

VISION

To be the premier, global provider of concrete and related equipment solutions for professional contractors.

MISSION

We provide innovative concrete and related equipment that solves professional contractor's major quality and productivity issues on their jobsites.

CORE VALUES

1. Safety: Priority One.
2. People: Our most valuable asset.
3. Quality: Our most important attribute.
4. Innovation: Our focus with our products and processes.
5. Teamwork: The way we work and think.
6. Customer/Contractor Focused: Our key driver.
7. Honestly: The only way we do business

Information Contained in this Manual



This manual provides information and procedures to safely operate and maintain the Allen Machine.

For your own safety and protection from personal injury, carefully read, understand, and observe the safety instructions described in this manual. Keep this manual or a copy of it with the machine at all times.

Always operate this machine in accordance with the instructions described in this manual. A well maintained piece of equipment will provide many years of trouble free operation.

This manual is divided into the following sections:

**SECTION 1
SAFETY**

**SECTION 2
OPERATIONS**

**SECTION 3
SERVICE**

**SECTION 4
PARTS**

Complete any warranty requirements as specified by the engine manufacturer in their instructions found inside the manual box located on the operator's control panel.

Your engine is not manufactured by Allen Engineering Corporation, Inc, and therefore is not covered under Allen Engineering Corporation, Inc warranty.

Your engine manufacturer should be contacted if you wish to purchase a parts manual or a repair manual for your engine.

Refer to enclosed owners engine manual for complete O&M instructions. See your battery manufacturer for battery warranty.

Dealer Information

Your Dealer has Allen Engineering Corporation trained mechanics and original Allen replacement parts. Always contact the Allen Dealer who sold you this machine for Allen Certified repairs and replacement parts.

Place Allen Dealer information below for future reference.

Dealer Name: _____

Phone #: (____) - ____ - _____

Address: _____

City: _____ State: _____ Zip: _____

Salesman: _____ Mobile Phone _____

Additional Comments: _____



Ordering Parts

Section 4 contains illustrated parts lists for help in ordering replacement parts for your machine. Follow the instructions below when ordering parts to insure prompt and accurate delivery:

1. All orders for service parts - include the serial number for the machine. Shipment will be delayed if this information is not available.
2. Include correct description and part number from the "PARTS" section of this manual.
3. Specify exact shipping instructions, including the preferred routing and complete destination address.
4. DO NOT return parts to AEC without receiving written authorization from AEC. All authorized returns must be shipped pre-paid.
5. When placing an order, please contact the AEC dealer nearest you.

NOTE

All information, specifications, and illustrations in this manual are subject to change without notice and are based on the latest information at the time of publication.

VISIT US!!!



www.alleneng.com

LIKE US!!!



www.facebook.com/AllenEngineering

FOLLOW US!!!



[@alleneng](https://twitter.com/alleneng)

WATCH US!!!



www.youtube.com/AllenMachinery

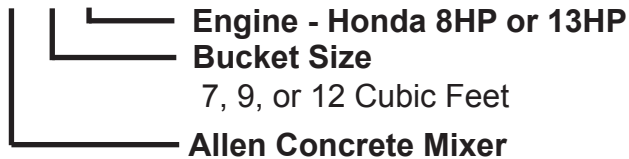
Model Number - Serial Number Codes

Manufacturer's Codes:

When ordering parts or requesting service information, you will always be asked to specify the model and serial numbers of the machine. The legends below specifically defines each significant character or group of characters of the Model Number and Serial Number codes.

Model Number

ACM 9 H8



Serial Number

The serial number found on the identification plate is a seventeen digit format. The model number identifies your machine and will ensure that you receive the correct replacement parts.

Serial Number Example

3A9S36M17E1168010

Unit Identification

Please record the information found on the serial number plate below so it will be available should the identification plate become lost or damaged. When ordering parts or requesting service information, you will always be asked to specify the model and serial numbers of the machine.

FILL IN FOR FUTURE REFERENCE

Model Number: _____

Serial Number: _____

Date Purchased: _____

Purchased From: _____



Technical Specifications

Machine Features:

1/8" Thick High Abrasion Welded Steel Drum with 3/16" Heavy Duty Lip

Mult-position Dump Latch

Oversized Drum Wheel

Heavy Duty Steel Drum Support

Heavy Duty Retractable Tongue Available with 2" Ball or Pintle Hitch

Heavy Duty One Piece Cast Iron Ring Gear

High Speed Hubs with Greasable Bearings

Axle Springs

Reliable Honda Power

Heavy Duty Hinged Hood with Rugged 14 Gauge Engine Shroud

Emergency Stop Switch

Technical Specifications (cont'd)

MODEL	ACM7H8	ACM9H8	ACM12H13
Engine	Honda GX240 (8hp)	Honda GX240 (8hp)	Honda GX390 (13 hp)
Batch Capacity Bags	1 - 1.2	1 - 1.5	1.5 - 2
Batch Capacity (Cubic ft/m)	6 cu. ft. [.17 cu. m.]	9 cu. ft. [.25 cu. m]	12 cu. ft. [.34 cu. m]
Drum	Steel	Steel	Steel
Drive	V-Belt to Gears	V-Belt to Gears	V-Belt to Gears
Wheels	12 x 4.8 High Speed	13 x 6.5 High Speed	13 x 6.5 High Speed
Dimensions (L x W x H)	80 x 51 x 60 [203 x 129 x 152 cm]		
Weight	790 lbs [359 kg]	868 lbs [394 kg]	895 [406 kg]



Engine Specifications Honda GX240 and GX390

Honda GX240	
Engine Type	Air-cooled 4-stroke OHV
Bore x Stroke	73 X 58 mm
Displacement	270 cm ³
Net Power Output	7.9 HP (5.9 kW) @ 3,600 rpm
Net Torque	13.5 lb-ft (18.3 Nm) @ 2,500 rpm
PTO Shaft Rotation	Counterclockwise (from PTO shaft side)
Compression Ratio	8.5:1
Lamp/Charge coil options	25W, 50W / 1A, 3A, 10A, 18A
Carburetor	Butterfly Float Type
Ignition System	Digital CDI with variable ignition timing
Starting System	Recoil/electric
Lubrication System	Splash
Governor System	Centrifugal Mass Type
Air cleaner	Dual element
Oil Capacity	1.16 US qt (1.1 L)
Fuel Tank Capacity	5.6 U.S. qts (5.3 liters)
Fuel	Unleaded 86 octane or higher
Dry Weight	55.1 to 66.1 lb (25 to 30 kg)

Honda GX390	
Engine Type	Air-cooled 4-stroke OHV
Bore x Stroke	88 X 64 mm
Displacement	389 cm ³
Net Power Output	11.7 HP (8.7 kW) @ 3,600 rpm
Net Torque	19.5 lb-ft (26.4 Nm) @ 2,500 rpm
PTO Shaft Rotation	Counterclockwise (from PTO shaft side)
Compression Ratio	8.2:1
Lamp/Charge coil options	25W, 50W / 1A, 3A, 10A, 18A
Carburetor	Butterfly Float Type
Ignition System	Digital CDI with variable ignition timing
Starting System	Recoil/electric
Lubrication System	Splash
Governor System	Centrifugal Mass Type
Air cleaner	Dual element
Oil Capacity	1.16 US qt (1.1 L)
Fuel Tank Capacity	6.4 U.S. qts (6.1 liters)
Fuel	Unleaded 86 octane or higher
Dry Weight	69 lb (31.5 kg)

Assembly Instructions

1. Remove the mixer and all components from its shipping crate. You will see:
 - Two wheels.
 - Axle assembly with hubs on each side, mounting loops and 8 lug nuts.
 - Selected hitch with lock pin and bolt and safety bolt with hair pin.

NOTICE

Note: All installation hardware must be inserted into its respective location on the mixer, see parts explosion for more details.

2. After removing all mixers' safety packing, while standing on an end, locate the axle's place on the mixer. You need to locate the bolts attached to the mixer shroud, bolted to the pallet and make sure this bolts are removed.
3. Lift the axle up to the mixer frame and position it in the center of the mixer make sure the axle guide are inside the mounting loops (both sides) before you hook the axle on the mixers springs or mixer frame (depending mixer size) and bolt the mounting loops.
4. Insert two 1/2 inch bolts with a washer through the mounting loops to secure the axle. Faster each mounting loop side and tight the bolts at 57 ft.-lbs.
5. Remove the lug nuts from the axle and mount the speed wheel, after wheel is mounted proceed to place the lug nuts (make sure the conical (tapered) end is facing the inside of the wheel. Torque to 105 ft.-lbs.
6. Proceed with the second wheel using the steps of point #3.
7. Using appropriated Equipment, put the mixer down to the ground.



Warning: failure to use proper lifting equipment could cause mixer to fall and cause serious injury.

8. Position the safety chain through the key slots in the front leg. Adjust the chain's ends to equal length.
9. Remove the safety bolt and pin from the tow bar.
10. Install the tow bar through the front leg.
11. Insert the pin through the front leg and the front hole in the tow bar. Secure the pin with a hair-pin cotter. Insert the 3/4" bolt through the rear hole and secure with a lock washer and nut. Tighten securely.

**SECTION 1
SAFETY****State Regulations
Proposition 65 Warning****WARNING****CALIFORNIA — Proposition 65 Warning**

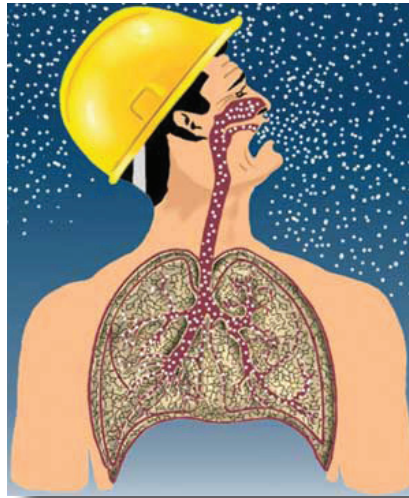
Engine exhaust and some of its constituents, and some dust created by power sanding, sawing, grinding, drilling and other construction activities contains chemicals known to the State of California to cause cancer, birth defects and other reproductive harm. Some examples of these chemicals are:

- Lead from lead-based paints.
- Crystalline silica from bricks.
- Cement and other masonry products.
- Arsenic and chromium from chemically treated lumber.

Your risk from these exposures varies, depending on how often you do this type of work. To reduce your exposure to these chemicals: **ALWAYS** work in a well ventilated area, and work with approved safety equipment, such as dust masks that are specially designed to filter out microscopic particles.

Federal Regulations Respiratory Hazards

SECTION 1 SAFETY



! WARNING

RESPIRATORY HAZARDS

Grinding/cutting/drilling of masonry, concrete, metal and other materials can generate dust, mists and fumes containing chemicals known to cause serious or fatal injury or illness, such as respiratory disease, cancer, birth defects or other reproductive harm. If you are unfamiliar with the risks associated with the particular process and/or material being cut or the composition of the tool being used, review the material safety data sheet and/or consult your employer, the material manufacturer/supplier, governmental agencies such as OSHA and NIOSH and other sources on hazardous materials. California and some other authorities, for instance, have published lists of substances known to cause cancer, reproductive toxicity, or other harmful effects.

Control dust, mist and fumes at the source where possible. In this regard use good work practices and follow the recommendations of the manufacturers or suppliers, OSHA/NIOSH, and occupational and trade associations. Water should be used for dust suppression when wet cutting is feasible. When the hazards from inhalation of dust, mists and fumes cannot be eliminated, the operator and any bystanders should always wear a respirator approved by NIOSH/MSHA for the materials being used.

! WARNING

SILICOSIS WARNING

Grinding/cutting/drilling of masonry, concrete, metal and other materials with silica in their composition may give off dust or mists containing crystalline silica. Silica is a basic component of sand, quartz, brick clay, granite and numerous other minerals and rocks. Repeated and/or substantial inhalation of airborne crystalline silica can cause serious or fatal respiratory diseases, including silicosis. In addition, California and some other authorities have listed respirable crystalline silica as a substance known to cause cancer. When cutting such materials, always follow the respiratory precautions mentioned above.

SECTION 1 SAFETY

Safety Information

READ AND STUDY THE FOLLOWING SAFETY INFORMATION BEFORE ATTEMPTING TO OPERATE THIS EQUIPMENT. IN ADDITION, ENSURE THAT EVERY INDIVIDUAL WHO OPERATES OR WORKS WITH THIS EQUIPMENT IS FAMILIAR WITH THESE SAFETY PRECAUTIONS.

WARNING - LETHAL EXHAUST FUMES!

An internal combustion engine discharges carbon monoxide, which is a poisonous and odorless invisible gas. Death or serious illness may result if inhaled. **Operate only in an area with good ventilation, NEVER IN A CONFINED AREA!**

WARNING - DANGEROUS FUELS!

Use extreme caution when storing, handling and using fuels - they are highly volatile and explosive in the vapor state. Do not add fuel while engine is running. Stop and cool the engine before adding fuel. **DO NOT SMOKE WHEN REFUELING!**

SAFETY GUARDS

It is the owner's responsibility to ensure ALL GUARDS AND SHIELDS are in place and in working order.

IGNITION SYSTEMS

Breakerless magneto and batteries ignition systems CAN CAUSE SEVERE ELECTRICAL SHOCKS, avoid contact with these components or their wiring.

SAFE DRESS

DO NOT WEAR loose clothing, rings, wristwatches, etc., near machinery.

NOISE PROTECTION

Wear O.S.H.A. specified hearing protection devices.

FOOT PROTECTION

Wear O.S.H.A. specified steel tip safety shoes.

HEAD PROTECTION

Wear O.S.H.A. specified safety helmets.

EYE PROTECTION

Wear O.S.H.A. specified eyes shields, safety glasses, and sweat bands.

DUST PROTECTION

Wear O.S.H.A. specified dust mask or respirator.

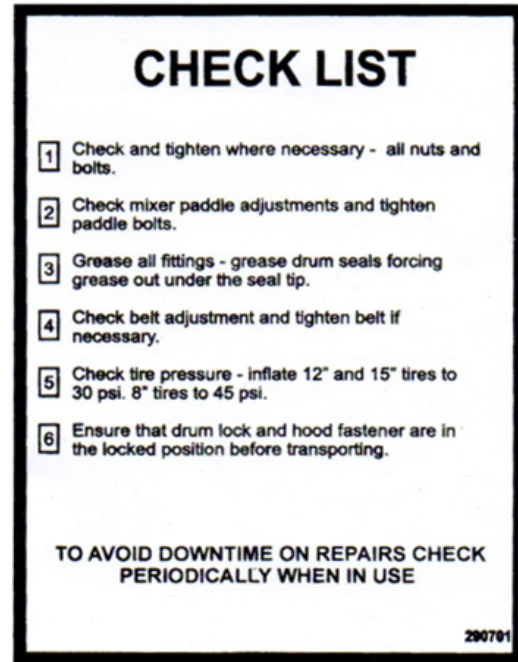
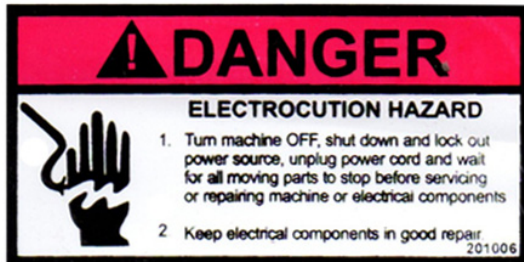
OPERATOR

Keep children and bystanders off and away from the equipment.

Safety Symbols and Decals

SECTION 1 SAFETY

Potential hazards associated with the operation of this equipment will be referenced with hazard symbols which may appear throughout this manual in conjunction with safety notes.



SECTION 1 SAFETY

Safety Symbols and Decals (cont'd)

NOTICE

- ENSURE TOW VEHICLE HAS TOWING CAPACITY FOR THE WEIGHT OF THIS MACHINE.
- DO NOT TOW THE MACHINE UNLESS THE DRAW BAR IS BOLTED IN PLACE AND THE SAFETY BOLT ON THE END OF THE DRAW BAR IS SECURELY FASTENED.
- CLOSE ENGINE FUEL CUTOFF (WHERE APPLICABLE) BEFORE TOWING MIXER TO PREVENT LEAKAGE INTO THE ENGINE CRANKCASE.
- USE 2 PEOPLE TO LIFT AND POSITION HITCH (PINTLE AND BALL) ON AND OFF TOW VEHICLE
- SECURELY ATTACH HITCH TO TOWING VEHICLE - PINTLE OR BALL TYPE COUPLER (BALL TYPE SHOWN). BE CERTAIN BALL CLAMP CAPTURES BALL AND LEVER OR HANDWHEEL IS FULLY CLAMPED. ENSURE USE OF SAFETY PIN THROUGH LATCH OR HANDWHEEL (FOR BALL TYPE COUPLER)
- SAFETY CHAIN ATTACHMENT (SEE ILLUSTRATION) CHAINS MUST CROSS UNDER THE DRAW BAR AND BE POSITIONED TO PREVENT THE DRAW BAR FROM DROPPING TO THE GROUND IN THE EVENT OF A HITCH FAILURE.
- CONNECT LIGHTING PLUG / ELECTRIC BRAKE PLUG (WHERE APPLICABLE)
- MAKE CERTAIN THAT THE WHEEL LUG NUTS AND AXLE MOUNTING HARDWARE ARE TIGHT
- CHECK PRESSURE AND OVERALL CONDITION OF TIRES.
- TEST BRAKES (IF APPLICABLE).

201150

**USE
GASOLINE
FUEL ONLY**

201152

WARNING

MISSING GUARD HAZARD
Install, close and secure all guards, shields and hoods before operating.

201004

WARNING

201005

WARNING

Improper operation of this equipment can cause serious injury or death.

Read Operator's Manual supplied with this machine before operation or servicing.

Modification or alteration of this machine can cause written consent the manufacturer.

Do not alter or modify this machine without the express written consent of the manufacturer.

201154

Safety Symbols and Decals (cont'd)

SECTION 1 SAFETY

! WARNING

- 1 Read and understand Operators Manual and safety signs before starting.
- 2 A Stop engine, disconnect spark plug wire and wait for all moving parts to stop before servicing, maintaining, adjusting or cleaning.
- 2 B Turn motor off, unplug power cord or turn off power at master panel and wait for all moving parts to stop before servicing, maintaining, adjusting, or cleaning.
- 3 Keep hands, feet, hair and clothing away from moving parts.
- 4 Install, close and secure all guards, shields and hoods before operating.
- 5 A Do not place hands in the drum unless engine OFF and spark plug wire is disconnected.
- 5 B Do not place hands in the drum unless motor is OFF and power cord is unplugged.
- 6 A Stay away from hot engine components during operation.
- 6 B Have licenced electrician wire up provide power to the electric motor.
- 7 A Do not smoke when refueling.
- 7 B Use a power cord with the required capacity to carry the power to the motor.
- 8 A Follow good safety procedures when handling fuel
- 8 B Route the power cord out of the way or protect it from damage.
- 9 Do not operate in an explosive atmosphere or a poorly ventilated area without adequate ventilation
- 10 Keep working area dry and clean to prevent slipping and tripping.
- 11 Always attach safety chain when towing.
- 12 Comply with applicable transporting regulations when towing.
- 13 Do not allow riders during transporting.
- 14 Do not exceed a safe travel speed when transporting. Slow down for corners and when going over rough terrain.

201001

! WARNING

**ROTATING PART HAZARD
KEEP AWAY**

To prevent serious injury or death rotating parts:

1. Install, close and secure all guards, shields and hoods before operating.
2. Do not place hands in drum unless the motor or engine is off and the power cord unplugged or the spark plug wire is disconnected
3. Keep hands, feet, hair and clothing away from moving parts.

201003

! WARNING

73
km/hr

Excessive towing speed can cause serious injury or death.
Do NOT exceed 45mph (73km/hr)

* Make certain that the wheel lug nuts and axle mounting hardware are tight.

* Check pressure and overall condition of tires.

201151

! WARNING

ROTATING PART HAZARD

Always stand clear of the dump handle when mixer is in operation. Any binding of material between mixer blades and the drum may cause drum handle to quickly move to the charge position.

201157

SECTION 2 OPERATIONS

Before Operating

- **REMEMBER!** It is the owner's responsibility to communicate information on the safe use and proper operation of this unit to the operators.
- Before operating, review SAFETY PRECAUTIONS listed on page 18 of this manual.
- Familiarize yourself with the operation of the unit and confirm that all controls function properly BEFORE starting engine.
- Locate the killing switch and assure you know how to STOP the unit.
- Make sure hands, feet, and clothing are at a safe distance from any moveable parts prior to starting.
- Shrouds and grids are provided to protect the operator or structures in close proximity to rotating hot engine parts. It is the RESPONSIBILITY OF THE OPERATOR to see that they are properly in place.
- **OIL LEVEL** - Check the oil level in the engine. For more information see "Lubrication" under the engine "Owner's Manual" the "Service" section of this manual. All mixers come without oil running an engine without lubrication may damage the engine.
- **AIR CLEANER** - Check to ensure elements are in good condition and properly installed.
- Review every decal with the OPERATOR.
- **FUEL SUPPLY** - Engines on Mixer equipment require an automotive grade of clean, fresh, unleaded or regular gasoline. All mixers come without gasoline and oil.
- **FUEL FILTER** - Check to ensure element is in good condition...Replace if it is clogged or damaged.
- **LUBRICATION POINTS** - Make sure all pillow blocks and drum's trunnions have been properly greased.
- **PADDLES AND BLADES** - Check the paddles and make sure they are adjusted to about 1/16" interference. This is mandatory after installing rubber blades on the paddles.

Operating

SECTION 2 OPERATIONS

Prior to starting engine, make sure mixer engagement lever is in the "IDLE" position.

STARTING ENGINE

1. Open the fuel valve.
2. Pull the stop switch on the engine shroud to its "Out" position.
3. Move the engine throttle control to the "FAST" position.
4. Choke the engine if necessary.(You may not need to choke a warm engine)
5. Pull the starter string.
6. After the engine starts, move the choke lever to the open position, move the throttle level to the "IDLE" position and let the engine warm-up for one or two minutes.

OPERATING

1. Allow the engine to warm up then move the throttle to the fast position.
2. Close the engine shroud



DO NOT OPERATE THE MIXER WITH THE SHROUD OPEN!

3. Move the engagement lever into the "MIX" position and load the mixer.
4. After loading a batch of mortar, it is recommended to add water for the next batch.
5. After discharging the final batch of mortar, add water to the drum while the mixer is running. Discharge the water after the inside of the mixer is clean.

STOPPING ENGINE

1. Move the engagement lever to the "IDLER" position.
2. Whenever possible it is recommended to let the engine idle before stopping.
3. Push in the engine stop switch on the engine shroud.
4. Close the fuel valve.

STOP THE ENGINE BEFORE:

- Adding fuel.
- Leaving equipment unattended for any amount of time.
- Making any repairs or adjustments to the unit.
- Transportation.

TOWING:

1. Stop the engine or electric motor.
2. Close and hook the engine should.
3. Rotate the drum into the tow position and secured it with the locking pin.
4. Secure the mixer hitch and safety chains to the vehicle.

BEFORE TOWING:

- Make sure the axle and tow bar hardware is tightened.
- Check the condition of the pin on the tow bar and make sure it is secured.
- Remove any loose debris from the mixer.
- Use safety chains when towing.

SECTION 3 SERVICE

Maintenance

SERVICE INSTRUCTIONS

- Never service or lubricate the unit engine while running.
- After servicing the unit, restore and fasten all guards, shields, and covers to their original positions.
- Never drain oil into the ground, into open streams, or down sewage drains.

ENGINE

- See engine owner's manual maintenance schedule.

DRUM

- Wash the drum after every day's usage.
- Pull the locking pin and tip the drum forward to drain water excess.
- Return drum to towing position and secure with locking pin before moving mixer.

LUBRICATION

- Grease all fittings daily. All mixers have 6 grease fittings, 4 pillow blocks and 2 drum trunnions. Two of the fittings are located at each end of the mixer drum on the top of pillow blocks and trunnions. The two remaining grease fittings are located under the engine shroud on the top of the intermediate shaft pillow blocks.



Maintenance Schedule

SECTION 3 SERVICE

Item	Maintenance	Each	Every	Every	Every	Yearly
		use	20 hours	50 hours	100 hours	
Engine	Refer to engine operator/ owner manual	X				X
Bearings	Grease	X				X
V-Belts	Check for excessive wear		X			X
Roller chain	Check for excessive wear		X			X
Hardware	Check and tighten 1,2		X	X		X
Tires	Check air pressure	X				

VISIT US!!!



www.alleneng.com

LIKE US!!!



www.facebook.com/AllenEngineering

FOLLOW US!!!



[@alleneng](https://twitter.com/alleneng)

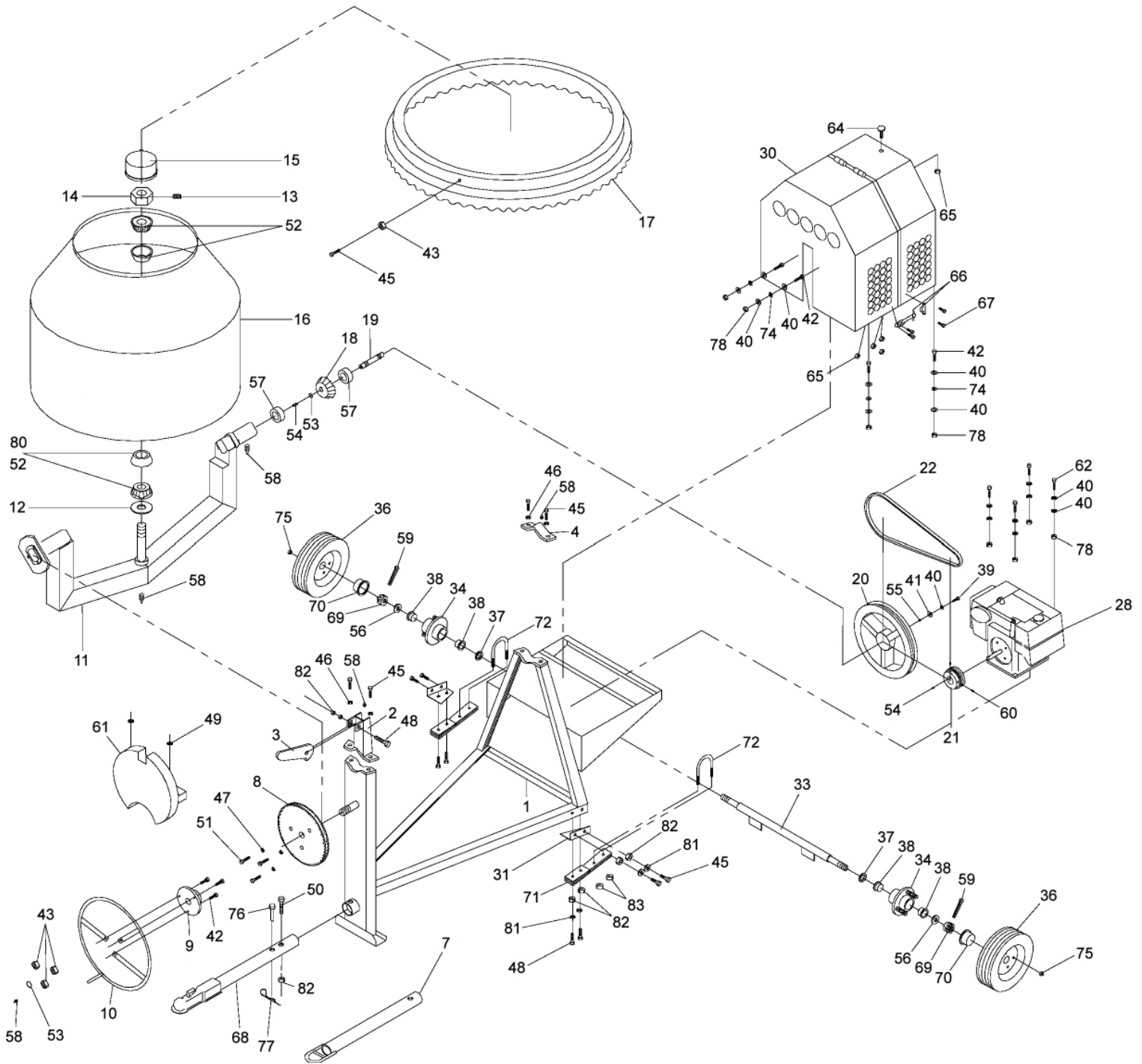
WATCH US!!!



www.youtube.com/AllenMachinery

SECTION 4 PARTS

Concrete Mixer Illustration



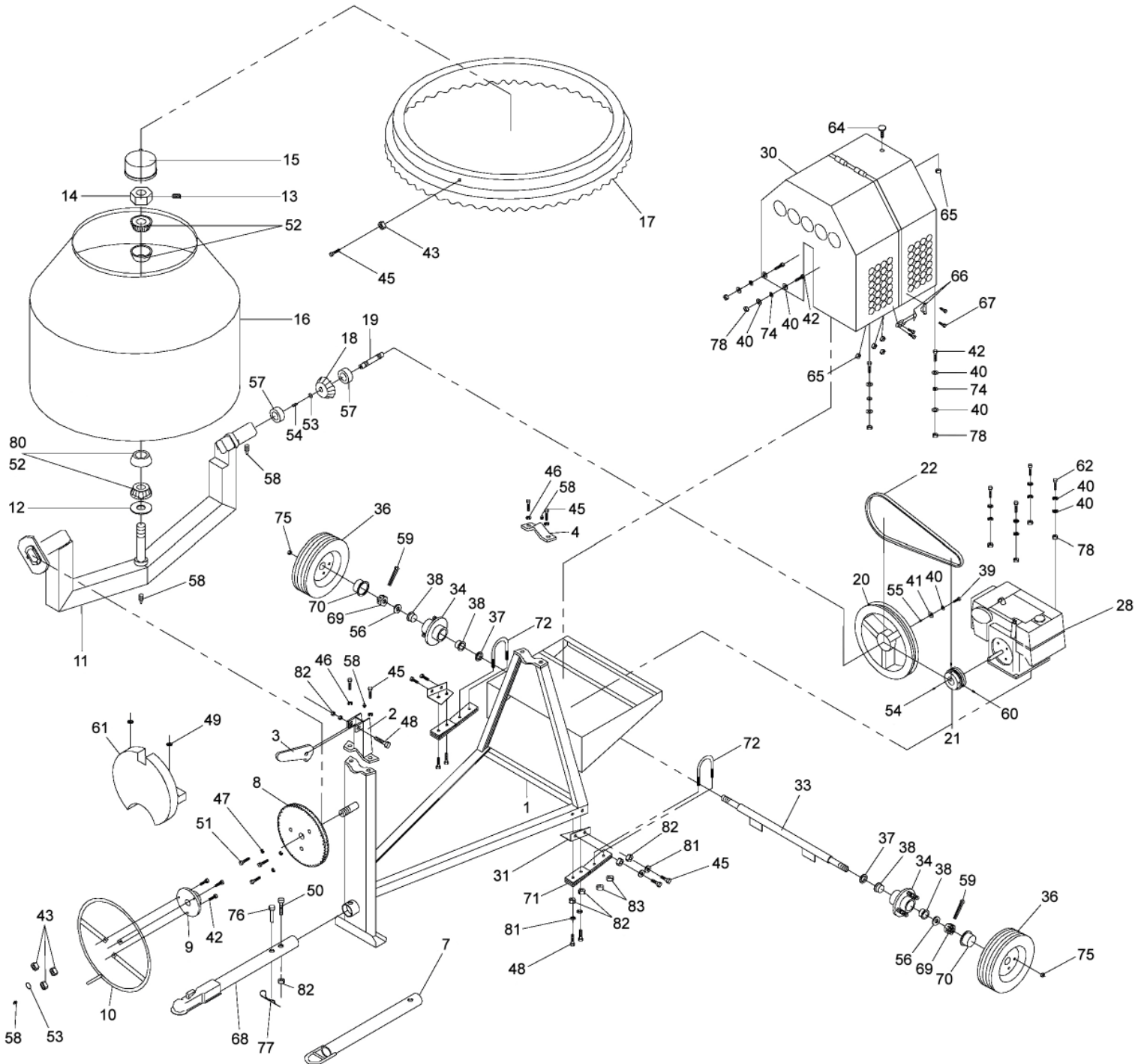
Concrete Mixer Parts List

SECTION 4 PARTS

No.	PART NUMBER	DESCRIPTION	ACM7H8	ACM9H8	ACM12H13
1	063980	FRAME,CM7 CM9	1	1	-
	063981	FRAME CM12	-	-	1
2	063982	BRAKE	1	1	1
3	063983	LOCKING PIN	1	1	1
4	063984	PILLOW BLOCK	1	1	1
7	063985	DRAW BAR, PINTLE HITCH	1	1	1
8	063986	GEAR	1	1	1
9	063987	HANDLE BLOCK 1	1	1	-
	063988	HANDLE BLOCK 2	-	-	1
10	063989	HANDLE	1	1	-
	063990	HANDLE CM12	-	-	1
11	063991	YOKE RT	1	1	-
	063992	YOKE CM12	-	-	1
12	063993	PLATE	1	1	-
	063994	PLATE CM12	-	-	1
13	063995	SET SCREW 3/8 X 3/8	1	1	1
14	063996	NUT, 1-3/8	1	1	1
15	063997	DUST CAP	1	1	1
16	063998	DRUM CM7	1	-	-
	063999	DRUM CM9	-	1	-
	064000	DRUM CM12	-	-	1
17	064001	GEAR RING	1	1	1
18	064002	PINNION	1	1	1
19	064003	PINNION SHAFT	1	1	1
20	064004	PULLEY 19" 1 GROVE	1	1	1
21	064005	PULLEY 2-1/2" 1 GROVE	1	1	1
22	064006	BELT, B64	2	2	2
28	064007	ENGINE	1	1	1
30	064008	HOOD, HINGED, ASSY	1	1	1
31	064009	BRACKETS	2	2	2
33	064010	AXLE	1	1	1
34	064011	HUB END	2	2	2
36	064012	WHEEL RIM 13	-	2	2
	064013	WHEEL RIM 12	2	-	-
37	064014	BALL BEARING SEAL	2	2	2
38	064015	HUB BALL BEARING	4	4	4
39	064016	BOLT, HEXHD 3/8X1 NF G.5	1	1	1
40	064017	PLAIN WASHER 3/8	21	21	21
41	064018	WASHER, TRANSMISSION 3/8	1	1	1
42	064019	BOLT, HEXHD 3/8X1-1/2 NF G.5	9	9	9
43	064020	LOCK NUT, 3/8	9	9	9
45	064021	BOLT, HEXHD 3/8X1-1/2 NF G.5	14	14	14
46	064022	SPRING WASHER 3/8	4	4	4
47	064023	SPRING WASHER 1/2	3	3	3
48	064024	BOLT. HEXHD 1/2X2-1/2 G.5	5	5	5

SECTION 4 PARTS

Concrete Mixer (cont'd) Illustration

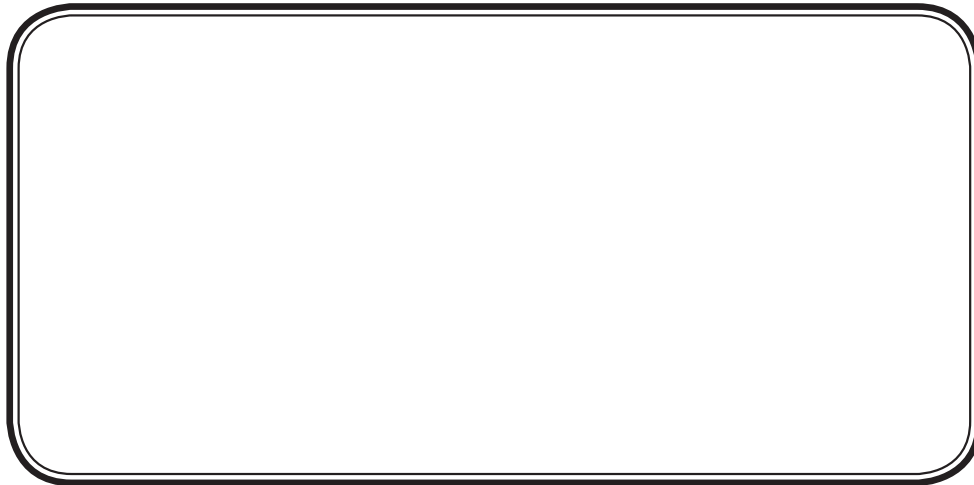


Concrete Mixer (cont'd) Parts List

SECTION 4 PARTS

No.	PART NUMBER	DESCRIPTION	CM7	CM9	CM12
49	064025	PLAIN WASHER 1/2	1	1	1
50	064026	BOLT HEXHD 1/2X3-1/2 G.5	1	1	1
51	064027	BOLT HEXHD 1/2X3/4 G.5	3	3	3
52	064028	BALL BEARING, 2788	2	2	1
53	064029	RETAINING RING, 7/8	2	2	2
54	064030	KEY, 1/4X1-1/2	2	2	2
55	064031	KEY, 1/4X1	1	1	1
56	064032	PLAIN WASHER, 1/8X3/4X1-1/4	2	2	2
57	064033	BALL BEARING, 6205	2	2	2
58	064034	GREASE FITING, 1/8	5	5	5
59	064035	PIN, COTTER, 1/8X1-1/2	2	2	2
60	064036	SET SCREW, 3/8X1-1/4	1	1	1
61	064037	GEAR GUARD	1	1	1
62	064038	BOLT, HEXHD, 3/8X2 G.5	4	4	4
64	064039	RUBBER SCREW 1/4	1	1	1
65	064040	NUT, 1/4	9	9	9
66	064041	HOOK ASSEMBLY	2	2	2
67	064042	BOLT, 1/4X1/2 G.5	8	8	8
68	064043	DRAW BAR, 2" BALL HITCH	1	1	1
69	064044	NUT, CASTLE, 3/4	2	2	2
70	064045	DUST COVER	2	2	2
71	064046	AXLE SPRING ASSEMBLY	2	2	2
72	064047	U CLAMP	2	2	2
74	064048	PLASTIC WASHER	14	14	14
75	064049	LOCK NUT, HUB 1/2	8	8	8
76	064050	LOCK PIN	1	1	1
77	064051	PIN AIR	1	1	1
78	064052	LOCK NUT 3/8	10	10	10
80	064053	BALL BEARING 104949 CM12	-	-	1
81	064054	PLAIN WASHER, 1/2	8	8	8
82	064055	LOCK NUT, 1/2	8	8	8
83	064056	LOCK NUT 1/2 F	4	4	4

YOUR TOTAL SOURCE FOR CONCRETE EQUIPMENT



800-643-0095 or 870-236-7751
FAX: 800-643-0097 or 870-236-3934

P.O. Box 819 Paragould, Arkansas 72451 USA
www.alleneng.com